

Replacement Sheet

217

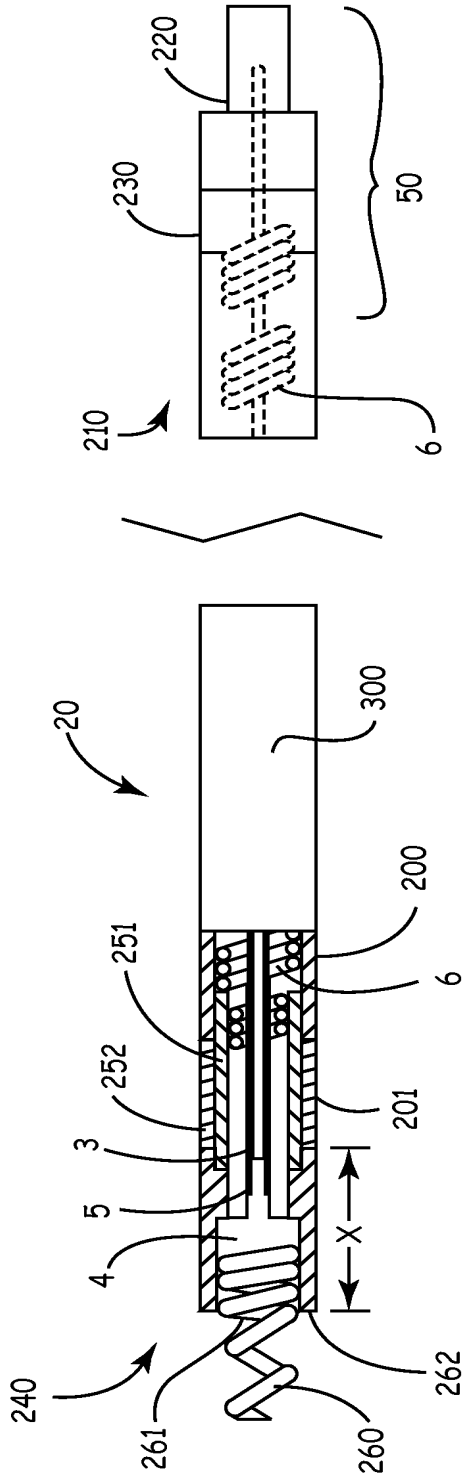


FIG. 2A

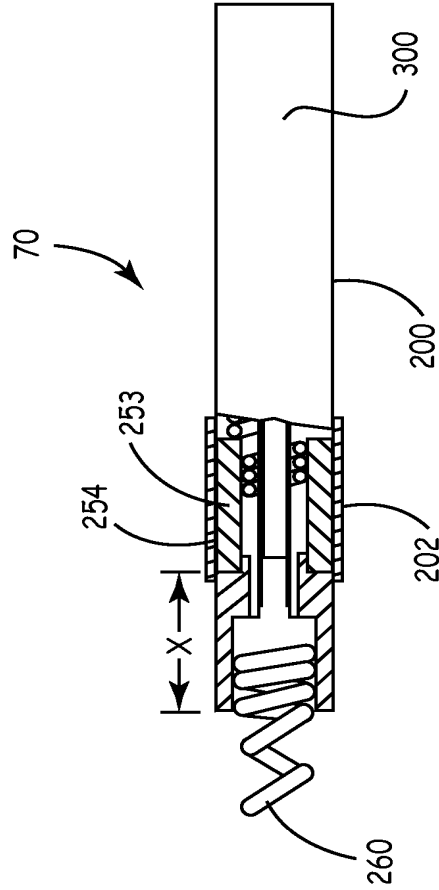


FIG. 2B

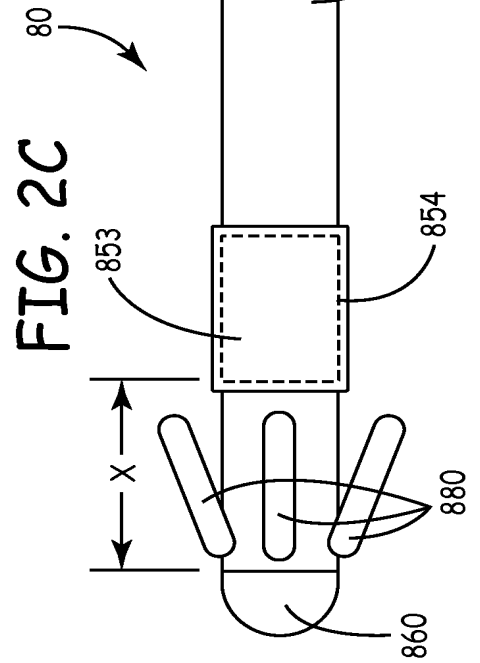


FIG. 2C

317

Replacement Sheet

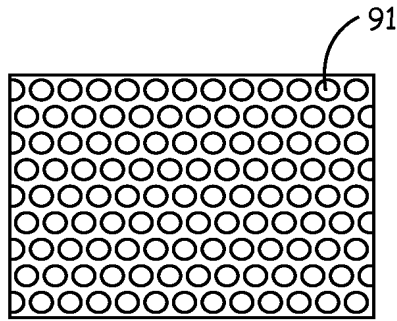


FIG. 3A

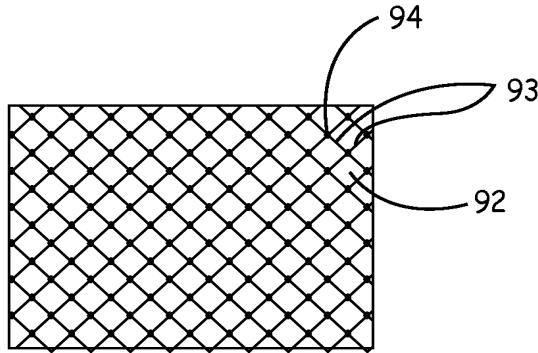


FIG. 3B

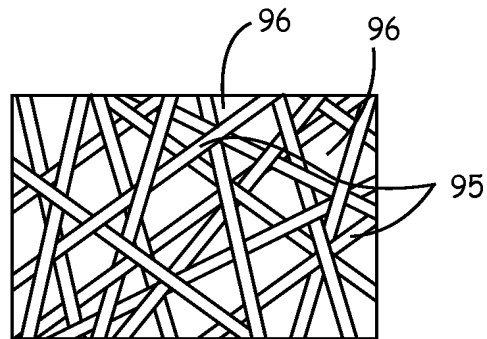


FIG. 3C

417

Replacement Sheet

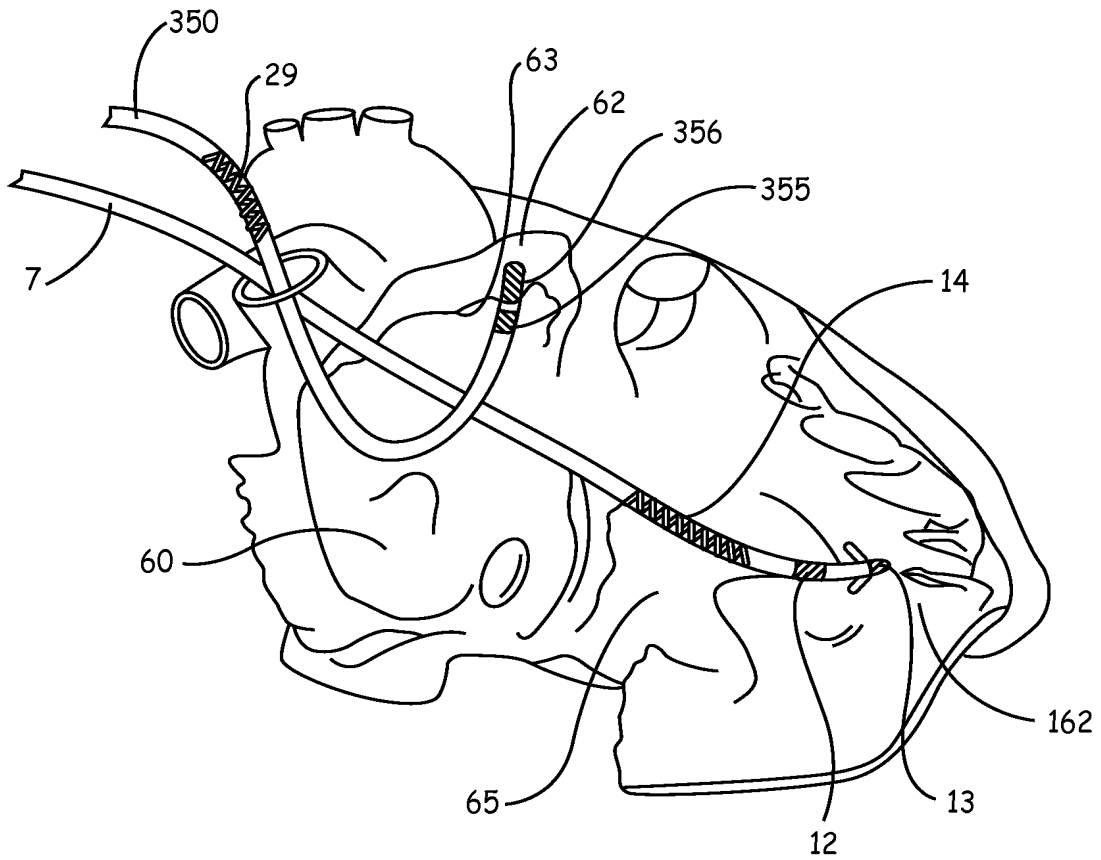


FIG. 4A

Replacement Sheet

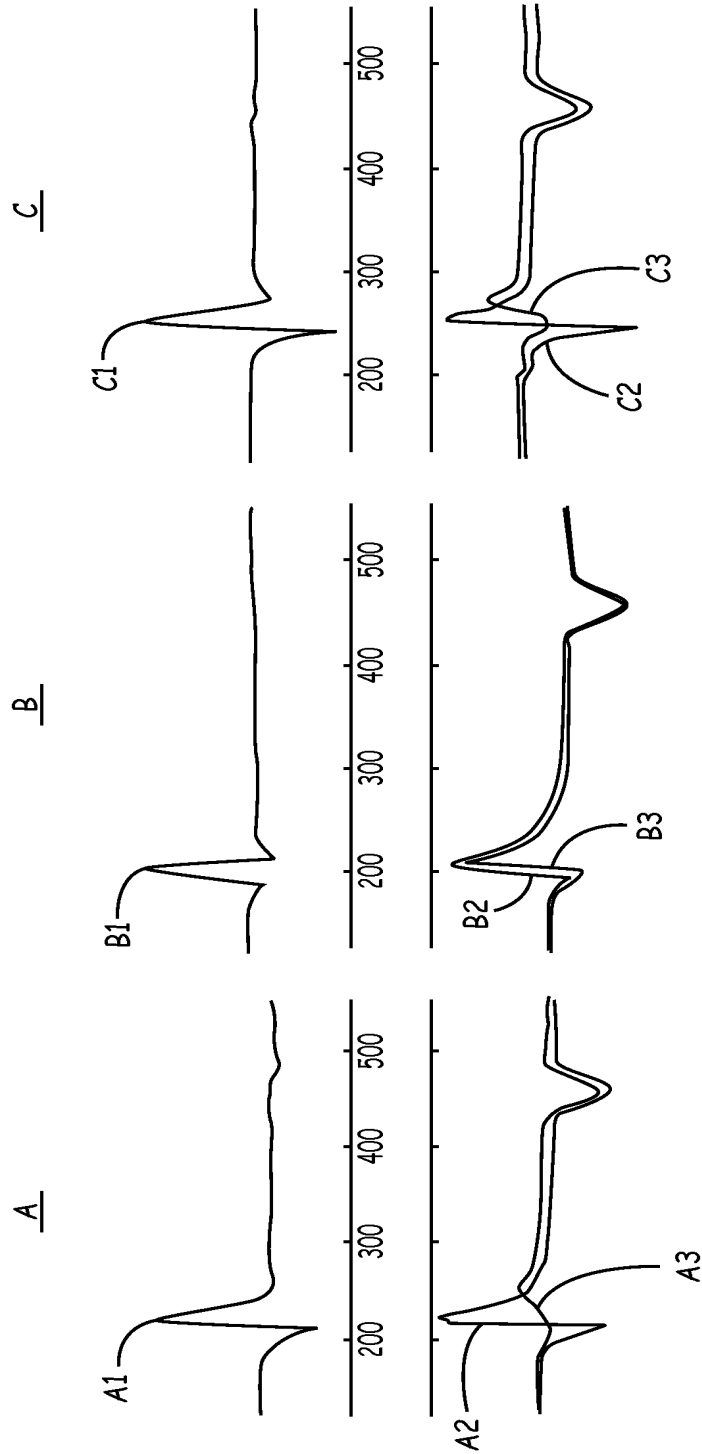


FIG. 4B

Replacement Sheet

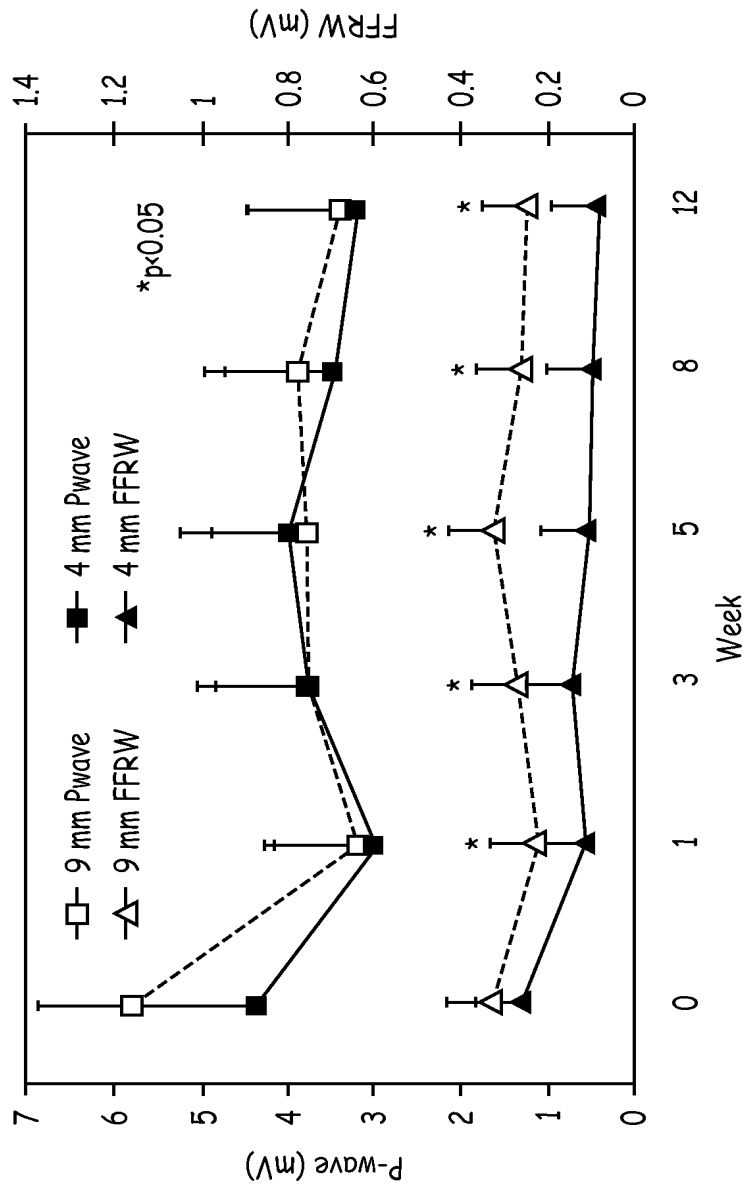


FIG. 5

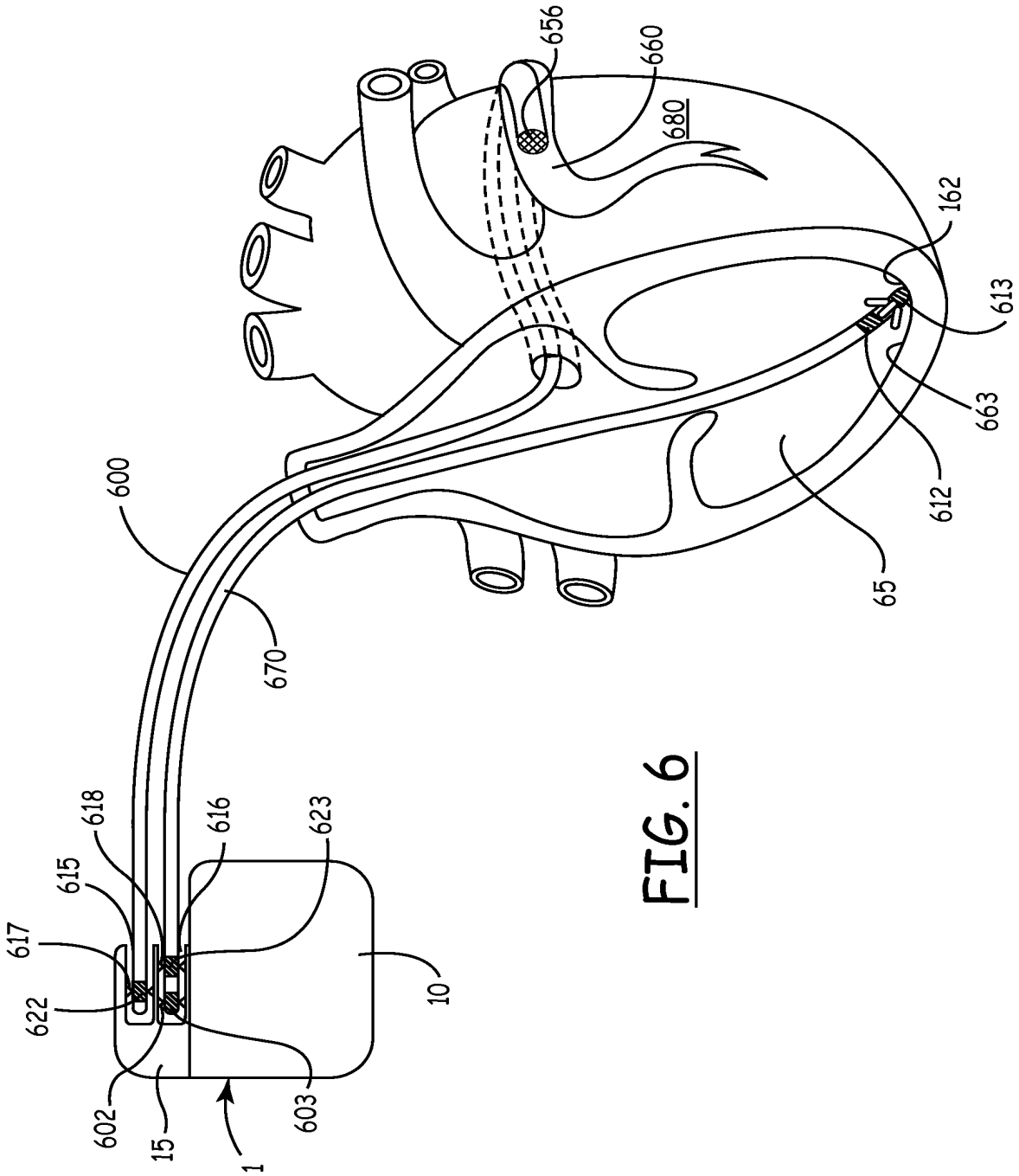


FIG. 6